



Features

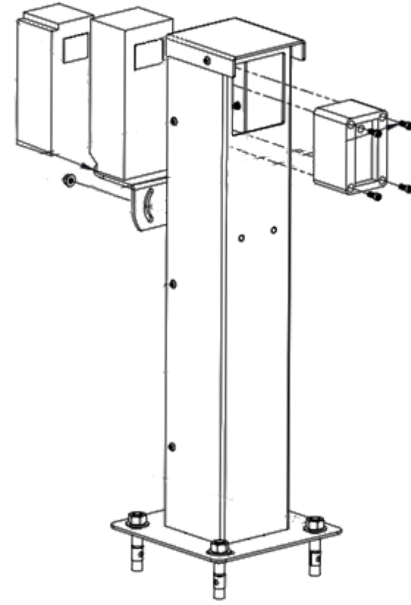
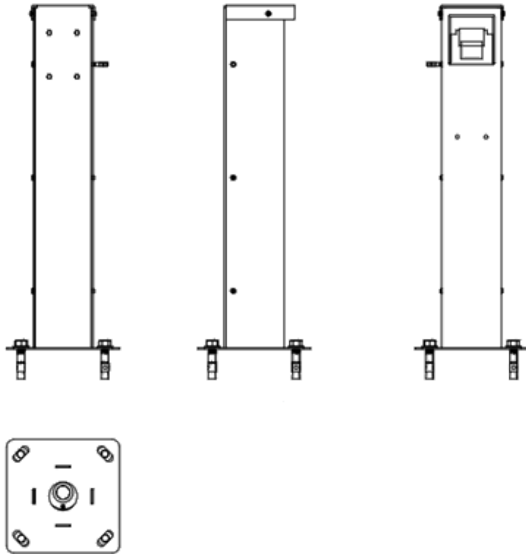
- Vandal Resistant: Structural Construction Protects Photo eyes for Long Life and Reliable Operation.
- One SensorVault | Photoeye accommodates multiple products
 - EMX IRB-MON
 - EMX IRB-4X
 - EMX IRB-RET
 - OMRON E3K
- Aesthetic Design: Small Sensor Window and Black Powder Coat Finish Keeps Electronics “Out of View” by helping blend with surroundings.
- Easy 4-bolt Installation on Concrete Pad. Accommodates Wire Run from Below or Rear.
- Complete Installation Instructions Including Photoeye Set-Up and Programming.
- Integrated steel rain /snow protection visor.
- Slotted Base for On-Site Fine Tune Adjustment

Nothing Protects Your PhotoEyes Better Than a SensorVault™

Photoeye sensors are not included with SensorVault™ and is shown for position only.

© 2020 TORXUN. SensorVault is a trademark of TORXUN. | EMX is a trademark of EMX Industries Inc OMRON is a trademark of OMRON Corporation

How to buy: Call 888-491-4283 • TORXUN.com • sales@TORXUN.com



Technical Data

Facility	Data
Weight	16 lbs
Steel	.120" / 11 gauge post, 1/8" flange plate
Dimensions	4.25"x4.25"x24.25" post, 8"x8" base
Finish	Powder Coat

Ordering Details

Product	Part #
Powder Coated Black	1100.002B
Powder Coated Yellow (call for availability)	1100.002Y
5-year warranty	

About TORXUN

TORXUN engineers architectural-grade products for vehicle access- controlled systems. Everything is produced in Tracy, CA