

THIS DOCUMENT, AND THE DATA, DESIGNS, AND DRAWINGS CONTAINED HEREIN, IS THE PROPERTY OF TORXUN VEHICLE ACCESS TECHNOLOGIES (TORXUN) AND IS SUBMITTED SOLELY FOR THE PURPOSE OF AIDING THE TRANSACTION OF BUSINESS BETWEEN THE RECIPIENT AND TORXUN. THIS DOCUMENT IS SUBMITTED SUBJECT TO THE FOLLOWING CONDITIONS: (A) IT MAY NOT BE USED, COPIED, OR REPRODUCED IN ANY MANNER WITHOUT THE PRIOR WRITTEN CONSENT OF TORXUN; (B) IT WILL BE RETURNED TO TORXUN WITH FIVE (5) BUSINESS DAYS OF REQUEST; (C) IT WILL BE RETAINED IN CONFIDENCE; (D) IT WILL NOT BE USED OR INCORPORATED IN ANY PRODUCT WITHOUT THE PRIOR WRITTEN CONSENT OF TORXUN; AND (E) IT WILL NOT BE USED IN ANY MANNER DETRIMENTAL TO TORXUN.

REVISIONS				
REV	BY	DESCRIPTION	APPROVED	DATE
A	DA	ORIGINAL	***	11-17-17
A.1	LMS	REVISE LOGO VISIBILITY	-	03-14-18
-	-	-	-	-

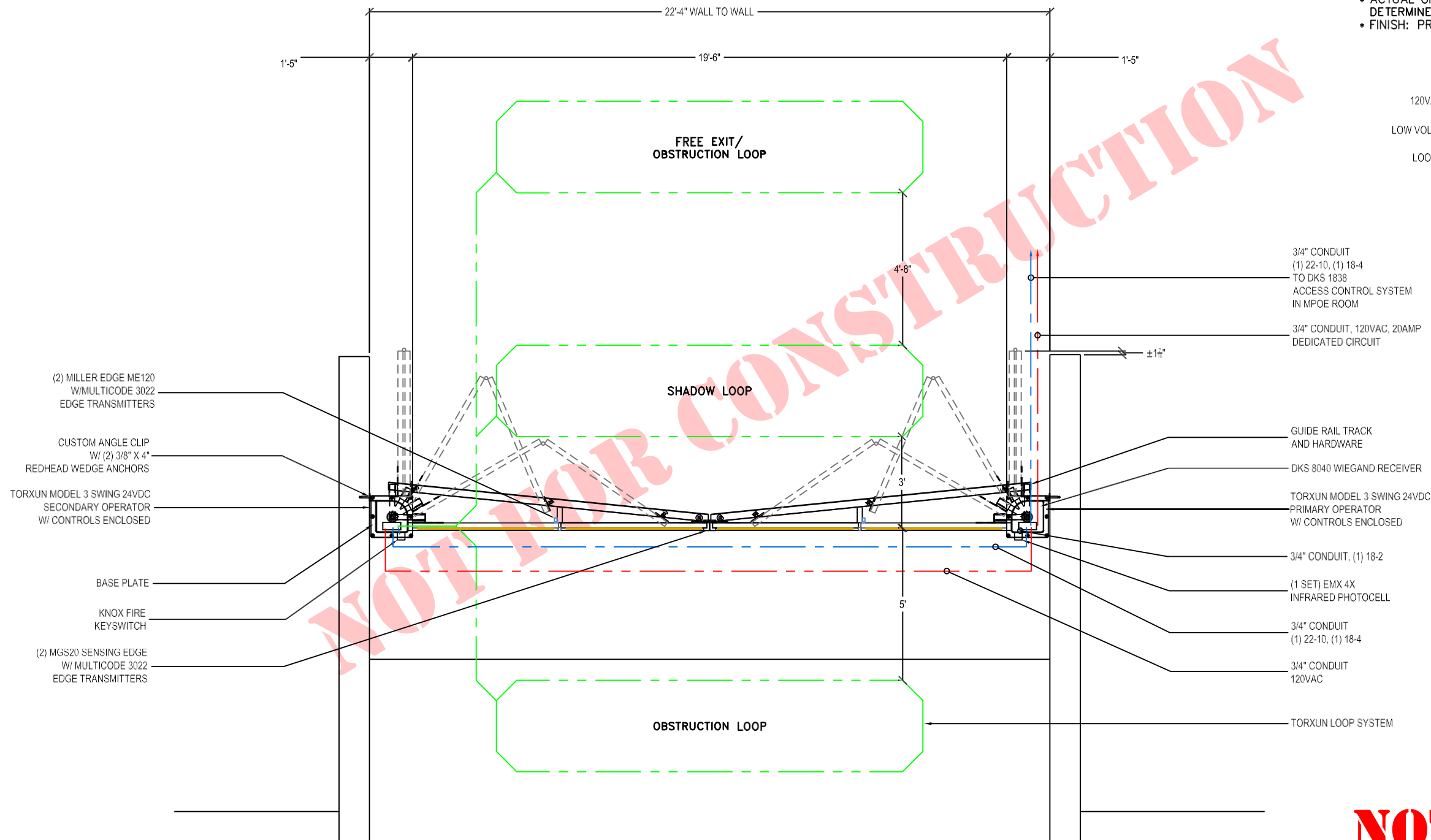


**KEY NOTES:**

- \* ALL CONDUIT, WIRE & SERVICE IS BY OTHERS
- \* ALL CONDUIT MUST HAVE CLEAN & LEGAL RACEWAYS WITH WIRE OR PULL-STRINGS INSTALLED
- \* TORXUN WILL MAKE WIRE TERMINATIONS AT OUR EQUIPMENT
- \* ACTUAL OPENING SIZE & SHOP DRAWINGS HAVE BEEN DETERMINED BY FIELD VISIT & MEASUREMENTS
- \* FINISH: PRIMED & PAINTED BLACK

**CONDUIT/LOOP LEGEND**

- 120VAC POWER ---
- LOW VOLT CIRCUITS ---
- LOOPS & LEADS ---



**NOT FOR CONSTRUCTION**

PLAN VIEW: GARAGE RAMP VEHICLE GATE  
SCALE: 1/2" = 1' OS/1

TYPICAL VEHICLE BI-FOLDING GATE  
WITH MODEL 3 OPERATORS  
PLAN VIEW

**TOLERANCES:**

DECIMALS:  
XX = ± .XX  
XXX = ± .XXX  
ANGLES: ±1°

DATE: 11-17-17

DRAWN BY: DA

JOB NO.: XXXXXXXX

FILE NAME: XXXXXXXX.DWG

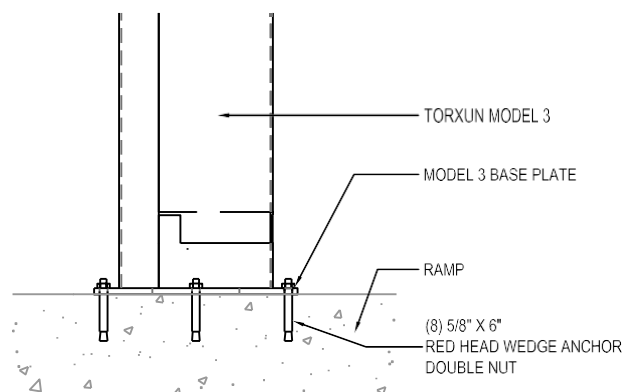
DWG#: XXXXXXXX

SCALE: 1/2" = 1"

SHEET: 1 OF 2

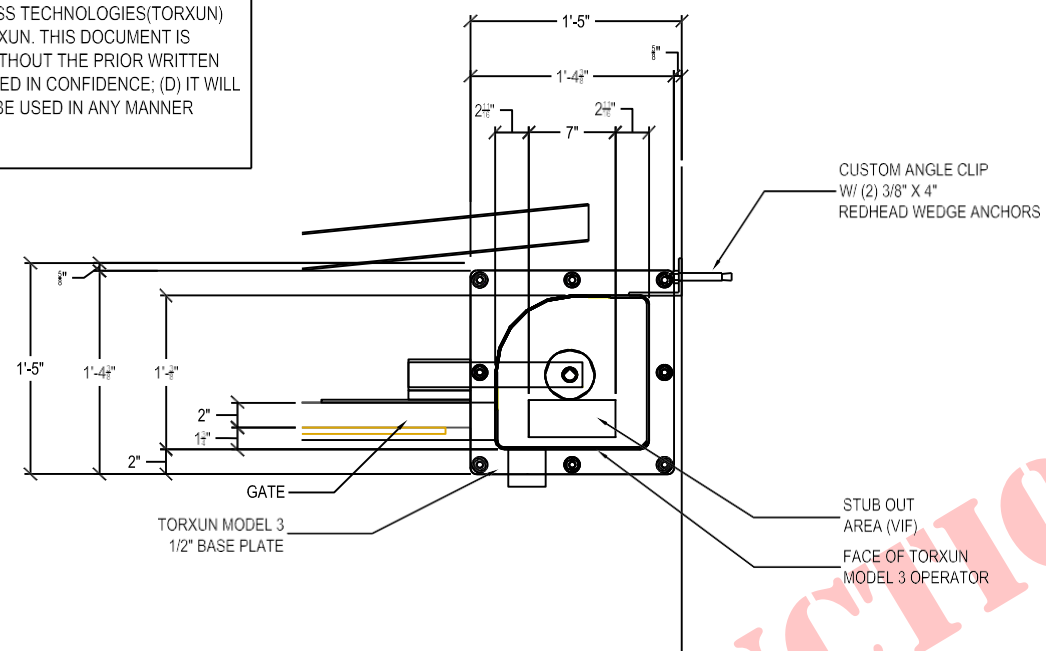
REV: A.1

THIS DOCUMENT, AND THE DATA, DESIGNS, AND DRAWINGS CONTAINED HEREIN, IS THE PROPERTY OF TORXUN VEHICLE ACCESS TECHNOLOGIES (TORXUN) AND IS SUBMITTED SOLELY FOR THE PURPOSE OF AIDING THE TRANSACTION OF BUSINESS BETWEEN THE RECIPIENT AND TORXUN. THIS DOCUMENT IS SUBMITTED SUBJECT TO THE FOLLOWING CONDITIONS: (A) IT MAY NOT BE USED, COPIED, OR REPRODUCED IN ANY MANNER WITHOUT THE PRIOR WRITTEN CONSENT OF TORXUN; (B) IT WILL BE RETURNED TO TORXUN WITH FIVE (5) BUSINESS DAYS OF REQUEST; (C) IT WILL BE RETAINED IN CONFIDENCE; (D) IT WILL NOT BE USED OR INCORPORATED IN ANY PRODUCT WITHOUT THE PRIOR WRITTEN CONSENT OF TORXUN; AND (E) IT WILL NOT BE USED IN ANY MANNER DETRIMENTAL TO TORXUN.



DETAIL: SIDE VIEW TORXUN MODEL 3 BASE PLATE

SCALE: NTS

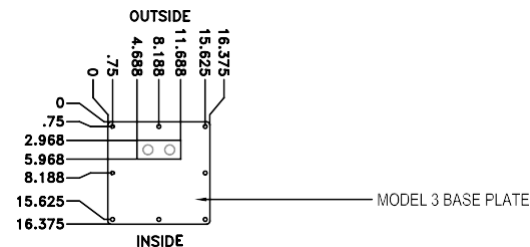


DETAIL: PLAN VIEW TORXUN MODEL 3 OPERATOR

SCALE: 1 1/2" = 1'

KEY NOTES:

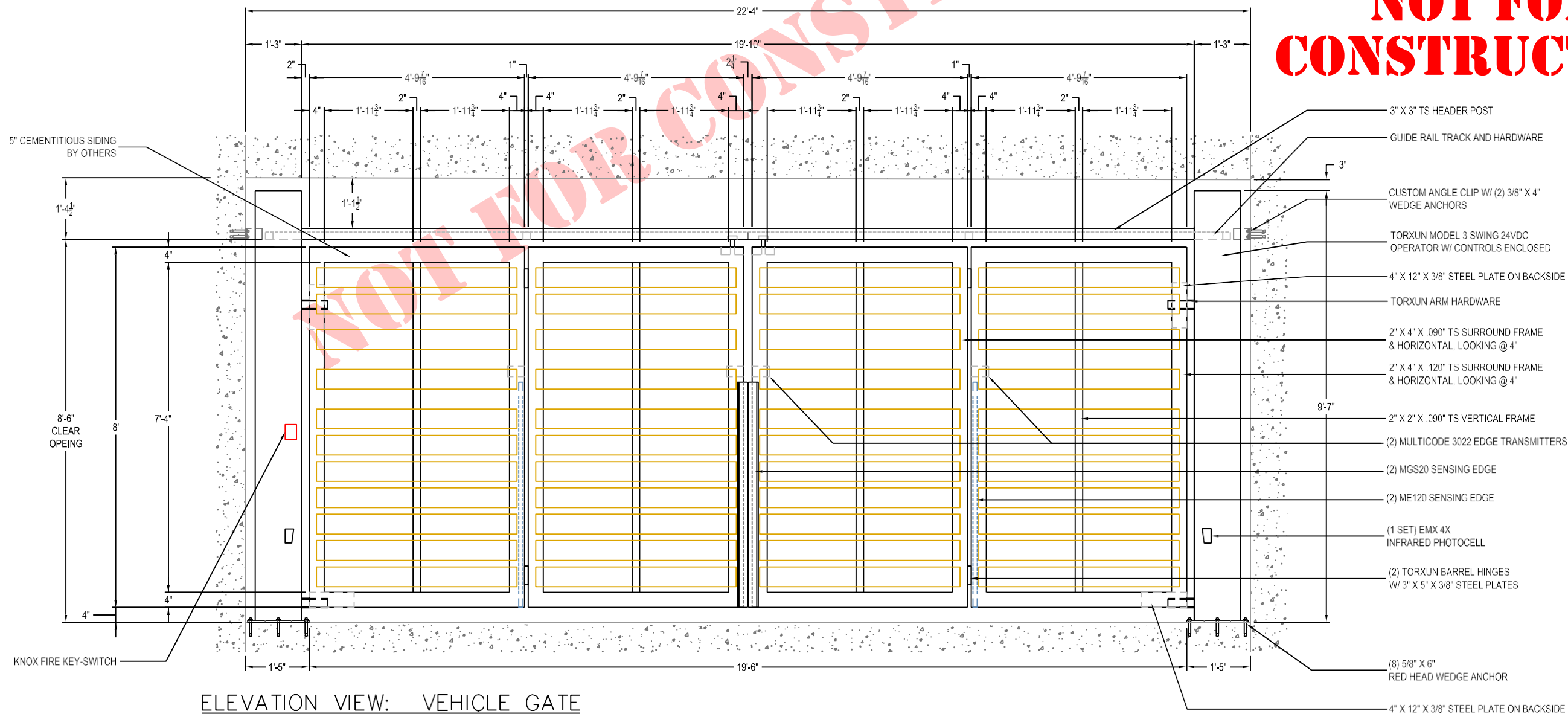
- ACTUAL OPENING SIZE & SHOP DRAWINGS HAVE BEEN DETERMINED BY FIELD VISIT & MEASUREMENTS
- FINISH: PRIMED & PAINTED BLACK



DETAIL: TORXUN MODEL 3 BASE PLATE

SCALE: NTS OSLI

**NOT FOR CONSTRUCTION**



ELEVATION VIEW: VEHICLE GATE

SCALE: 1/2" = 1'

OSLI

TYPICAL VEHICLE BI-FOLDING GATE WITH MODEL 3 OPERATORS ELEVATION VIEW

TOLERANCES:

DECIMALS:  
XX = ± .XX  
XXX = ± .XXX  
ANGLES: ±1°

DATE: 11-17-17

DRAWN BY: DA

JOB NO.: XXXXXXXX

FILE NAME: XXXXXXXX.DWG

DWG#: XXXXXXXX

SCALE: 1/2" = 1'

SHEET: 2 OF 2

REV: A.1