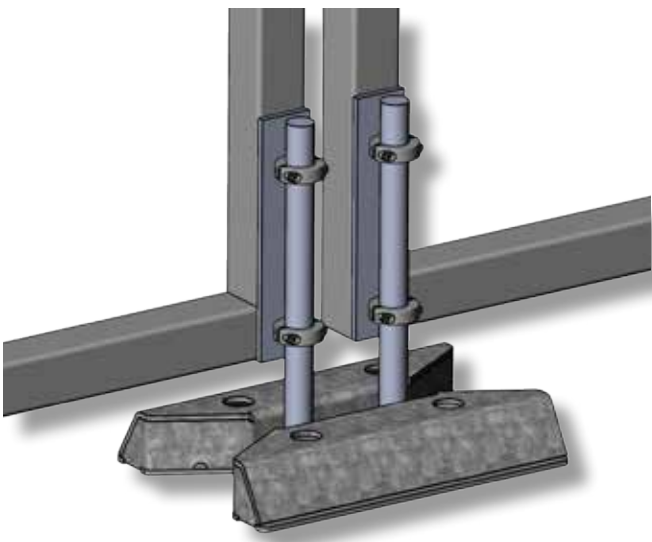


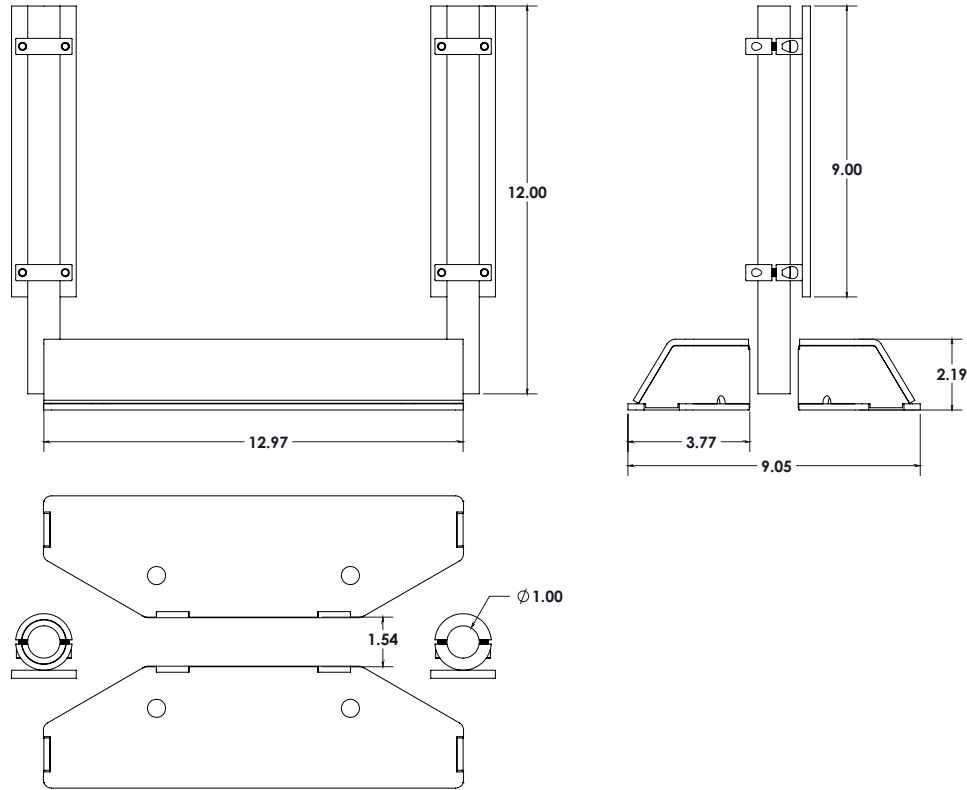
QuickFold LockDock

Features

- Improved property security
- Galvanized for durability
- Passive design - for simplicity and reliability
- Designed to withstand heavy vehicle traffic
- Low profile



TORXUN QuickFold LockDock



Technical Data

Facility	Data
Kit Weight	22 lbs
Dimensions	13" x 9" x 2.2"
Material	1/4" steel plate
Finish	Hot Dipped Galvanized
Warranty	5 years

Product	Part #
Lock Dock Kit QuickFold bi-parting	1101.0081

About TORXUN

TORXUN Vehicle Access Technologies engineers architectural-grade products for vehicle access controlled systems. Everything is produced in Tracy, California.



Precision Handcrafted
in Northern California
from U.S. Steel.