

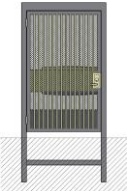
Name _____
 Company _____
 Email _____
 Phone _____



AMPED SALES INTAKE FORM


Start Here | Choose your application to determine your system part number

<input type="checkbox"/> INDUSTRIAL					<input type="checkbox"/> MULTI-USE				
A. CONSTRUCTION					A. CONSTRUCTION				
<ul style="list-style-type: none"> 2" x 3" Hinge Frame 2" x 2" Gate Frame 3/4" Pickets 12" x 1/8" Thick Welded Kick-Plate 					<ul style="list-style-type: none"> 2" x 2" Hinge Frame 2" x 2" Gate Frame 5/8" Pickets 12" Sheet Metal Kick-Plate 				
B. MOUNTING (check one)					B. MOUNTING (check one)				
<input type="checkbox"/> Wet Set ⁽¹⁾		<input type="checkbox"/> Surface Mount ⁽²⁾			<input type="checkbox"/> Wet Set ⁽¹⁾		<input type="checkbox"/> Surface Mount ⁽²⁾		
Automation (check one)		Automation (check one)			Automation (check one)		Automation (check one)		
<input type="checkbox"/> AutoPed ⁽³⁾ <input type="checkbox"/> Closer only ⁽⁴⁾		<input type="checkbox"/> AutoPed ⁽³⁾ <input type="checkbox"/> Closer only ⁽⁴⁾			<input type="checkbox"/> AutoPed ⁽³⁾ <input type="checkbox"/> Closer only ⁽⁴⁾		<input type="checkbox"/> AutoPed ⁽³⁾ <input type="checkbox"/> Closer only ⁽⁴⁾		
Torxun AMPED Part Number	1106.2010	1106.0010	1106.2020	1106.0020	1106.2110	1106.0110	1106.2120	1106.0120	



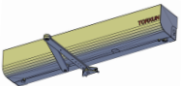
(1) WET-SET

- 28" of vertical frame is embedded in concrete footing in the ground
- Underground Grade-Beam support keeps frame rigid and square




(2) SURFACE MOUNT

- Vertical frame is welded on 6" x 6" x 1/4" steel base plates
- Base plates are bolted on concrete footing in the ground



(3) AUTOPED Operator

- Electrically operated -110v
- UL, ANSI, ADA compliant
- Ideal for Push/Pull, Open/Close applications
- User programmable



(4) HYDRAULIC closer

- Simple mechanical spring-load action with hydraulic breaking

C. SPECIFICATIONS

Clear opening

Height 78" (ADA standard)

Width (36"-63" max)

Finish: (check one)

Zinc powder coat primer (std)

Black semi-gloss powder coat (std)

Custom color

Lock System: (check one)

Von Duprin 22 with lever (std)

Von Duprin 99 with lever

Prep only panic bar

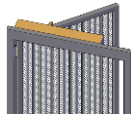
Strike System: (check one)

Hess 9600 (std)

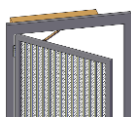
None – Field install

D. GATE HANDING WITH AUTOPED* (check one)

Left Hand

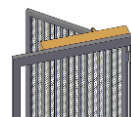
Track Arm Assy 

Left Hand Reverse

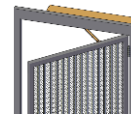
Std Arm Assy (std) 

Track Arm Assy

Right Hand

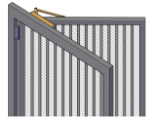
Track Arm Assy 

Right Hand Reverse


Std Arm Assy (std) 

Track Arm Assy

E. WITH HYDRAULIC CLOSER* (check one)

Left Hand 

Left Hand

Right Hand 

Right Hand

Taymor 1900 (std)

None (field install by others)


*viewed from exterior (OLI) – all operators mounted on secure side of door/gate



F. KNOWN DEVICE ACTIVATION IF EQUIPPED WITH AUTOPEd

F.1 Public Side (check one)

- Hardwired or
- Wireless (radio frequency)

F.2 Public Side Activation Device (check one)

4.5" Square  or


Jamb  or 



36" Push plate 


F.3 Private Side (check one)

- Hardwired or
- Wireless (radio frequency)

F.4 Private Side Activation Device (check one)

4.5" Square  or

Jamb  or 

36" Push plate 

(NOTE: all activation devices are for surface mount)

G. OTHER CUSTOM OPTIONS

- Call TORXUN[♦] for customization; i.e.: infill material, lock hardware, strike locks, hinge hardware, etc...
- All options will add cost to standard design

H. NEXT STEPS

- Firm quote by **TORXUN** (based on completed AMPED Sales Intake Form)
 - Customer sign-off on quote + Torxun shop drawing
 - Deposit receipt by TORXUN
 - Fabrication/ Production
 - Shipping arrangements

TORXUN

50 Sloan Court
 Tracy, CA 95304
 Phone: (888) 491-4283
 Fax: (888) 492-4283
 Email: sales@TORXUN.com

Layout/Sketch

NOTES:

DISTRIBUTOR